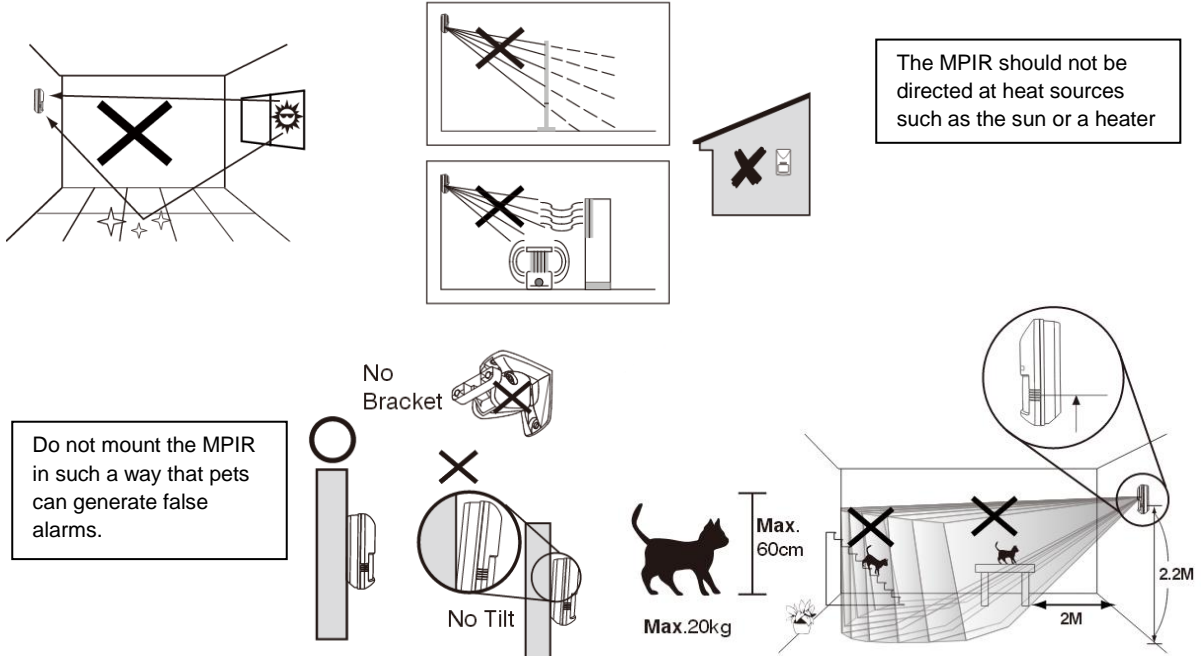


# MOBEYE LOW POWER PIR

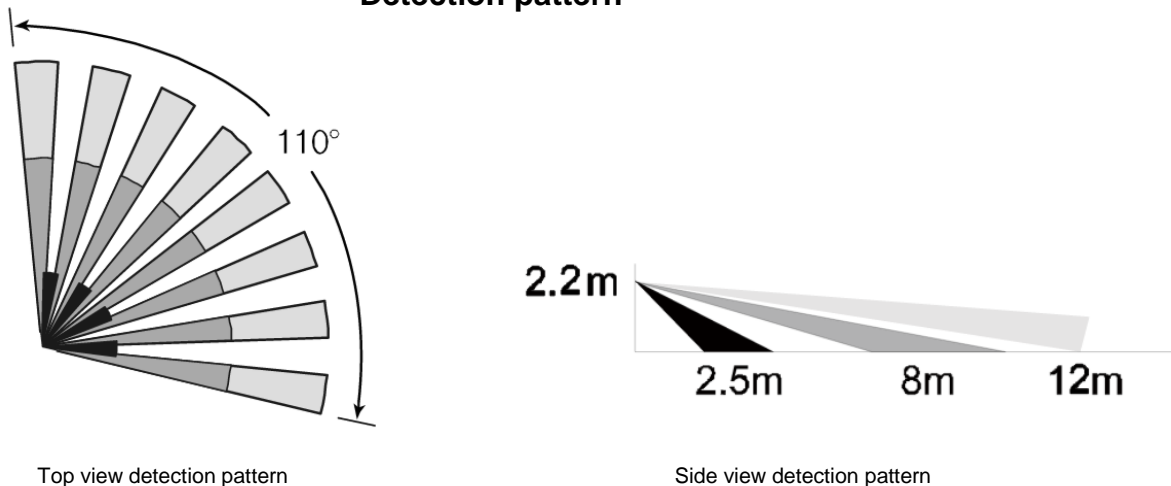
## Placement



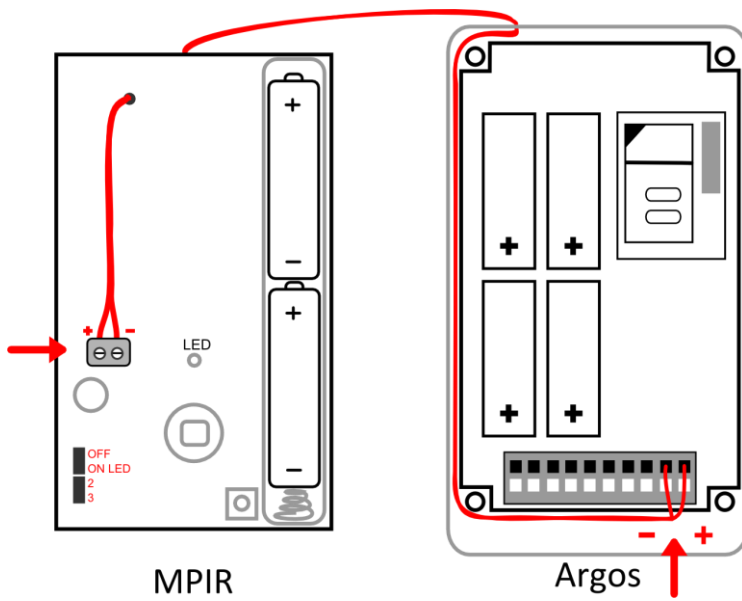
## Detection



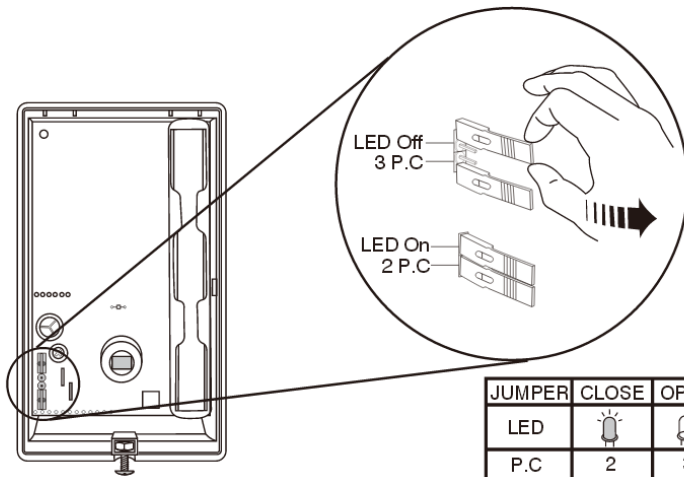
## Detection pattern



## Connecting the MPIR with the Mobeye Argos



## Settings



JUMPER	CLOSE	OPEN
LED		
P.C	2	3

	options	
LED	LED on (ON)	LED off (OFF)
Sensitivity	Low (2)	Normal (3)

Note: Mobeye Argos will not detect and alert when the batteries of the MPIR are low. Check regularly if the batteries are still working properly.